

KF-8018

Amino Gum

Mixture of Aminopropyl Dimethicone

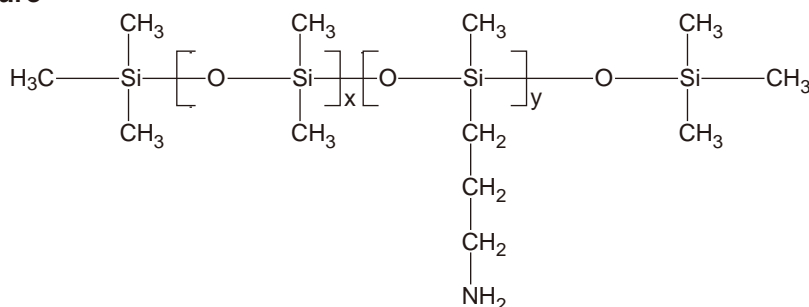
- **Features & Advantages**
- Hair care application
 - Rinsed products
 - Non rinsed products
 - Conditioning agent

- **Applications**
- Hair care

- **Percentage of use** 0.5-15 %

- **INCI name** CYCLOPENTASILOXANE (AND) AMINOPROPYL DIMETHICONE

■ **Structure**



■ **Characteristics**

Properties	Unit	Values	Standard method / condition
Appearance (color)	—	Colorless	Visual observation
Appearance (transparency)	—	Transparent	Visual observation
Appearance (texture)	—	Liquid	Visual observation
Percentage of active raw material	%	10	
Viscosity	mPa·s	2,000	Rotational viscometer
Specific gravity	—	0.961	Densimeter
Refractive index	—	1.397	Refractometer

(Not specific values)

KF-8018

■ Solubility / compatibility	Information not available.
■ Processing (How to use)	The product is ready to use.
■ Packaging	16 kg can, 180 kg drum
■ Storage	<p>The silicone products may deteriorate when it comes in contact with heat, light, acid, alkaline, etc.</p> <p>Be sure to seal tightly and store in a cool dark place away from heat and flame.</p>
■ Safety	Please consult our SDS.

KF-8018

Warning to users

- The data and information presented in this document may not be relied upon to represent standard values. Shin-Etsu reserves the right to change such data and information, in whole or in part, in this document, including product performance standards and specifications without notice.
- Users are solely responsible for making preliminary tests to determine the suitability of products for their intended use. Statements concerning possible or suggested uses made herein may not be relied upon, or be construed, as a guaranty of no patent infringement.
- The silicone products described herein have been designed, manufactured and developed solely for general industrial use only; such silicone products are not designed for, intended for use as, or suitable for, medical, surgical or other particular purposes. Users have the sole responsibility and obligation to determine the suitability of the silicone products described herein for any application, to make preliminary tests, and to confirm the safety of such products for their use.
- Users must never use the silicone products described herein for the purpose of implantation into the human body and/or injection into humans.
- Users are solely responsible for exporting or importing the silicone products described herein, and complying with all applicable laws, regulations, and rules relating to the use of such products. Shin-Etsu recommends checking each pertinent country's laws, regulations and rules in advance, when exporting or importing, and before using, the products.
- Please contact Shin-Etsu before reproducing any part of this document.